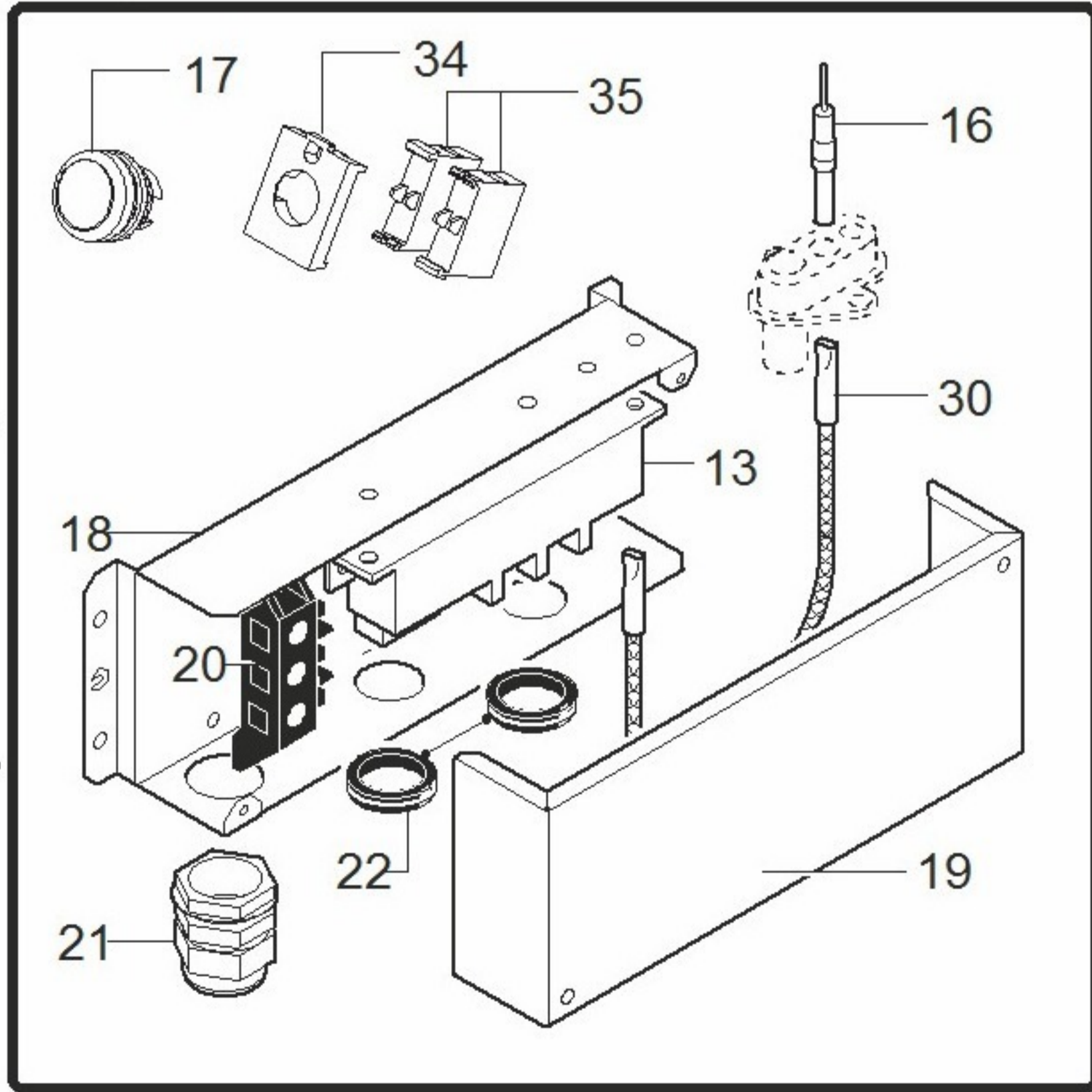
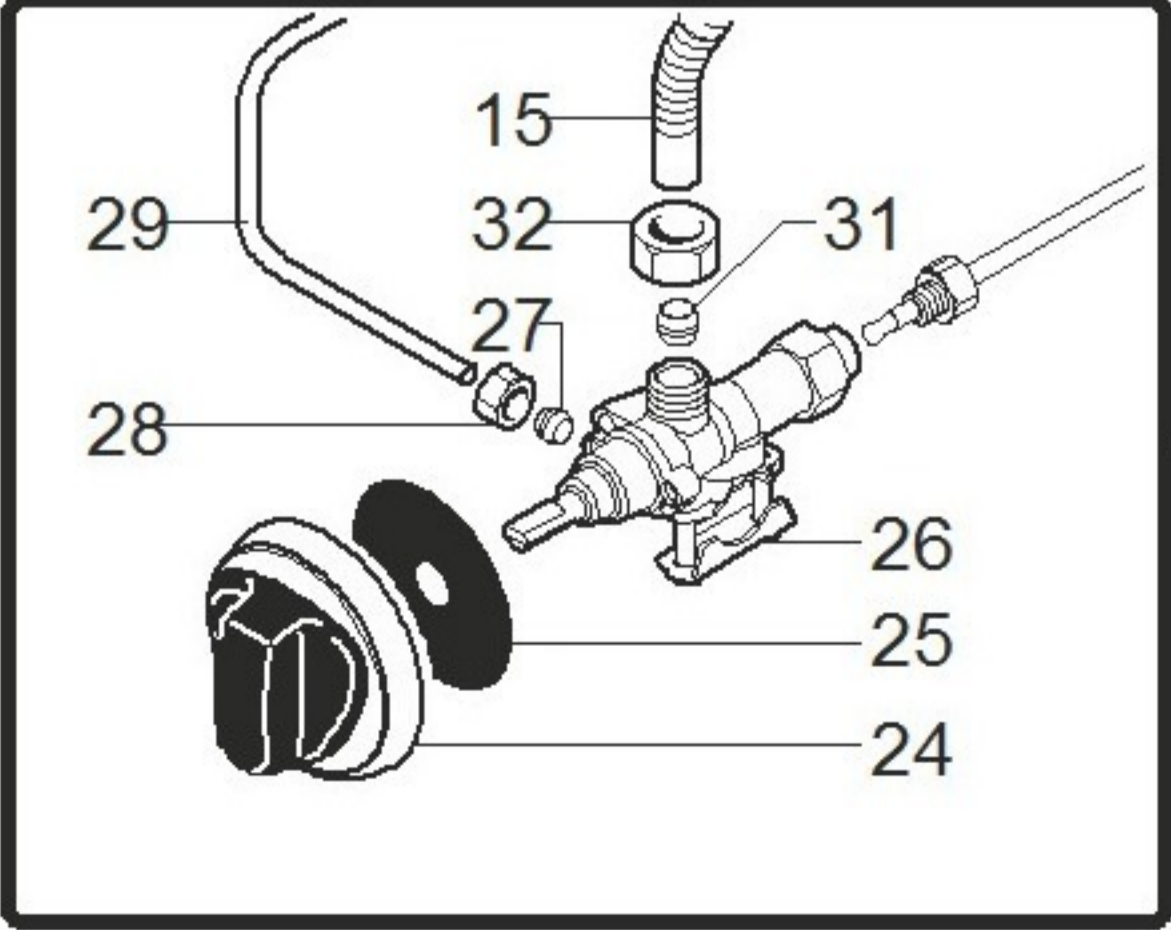
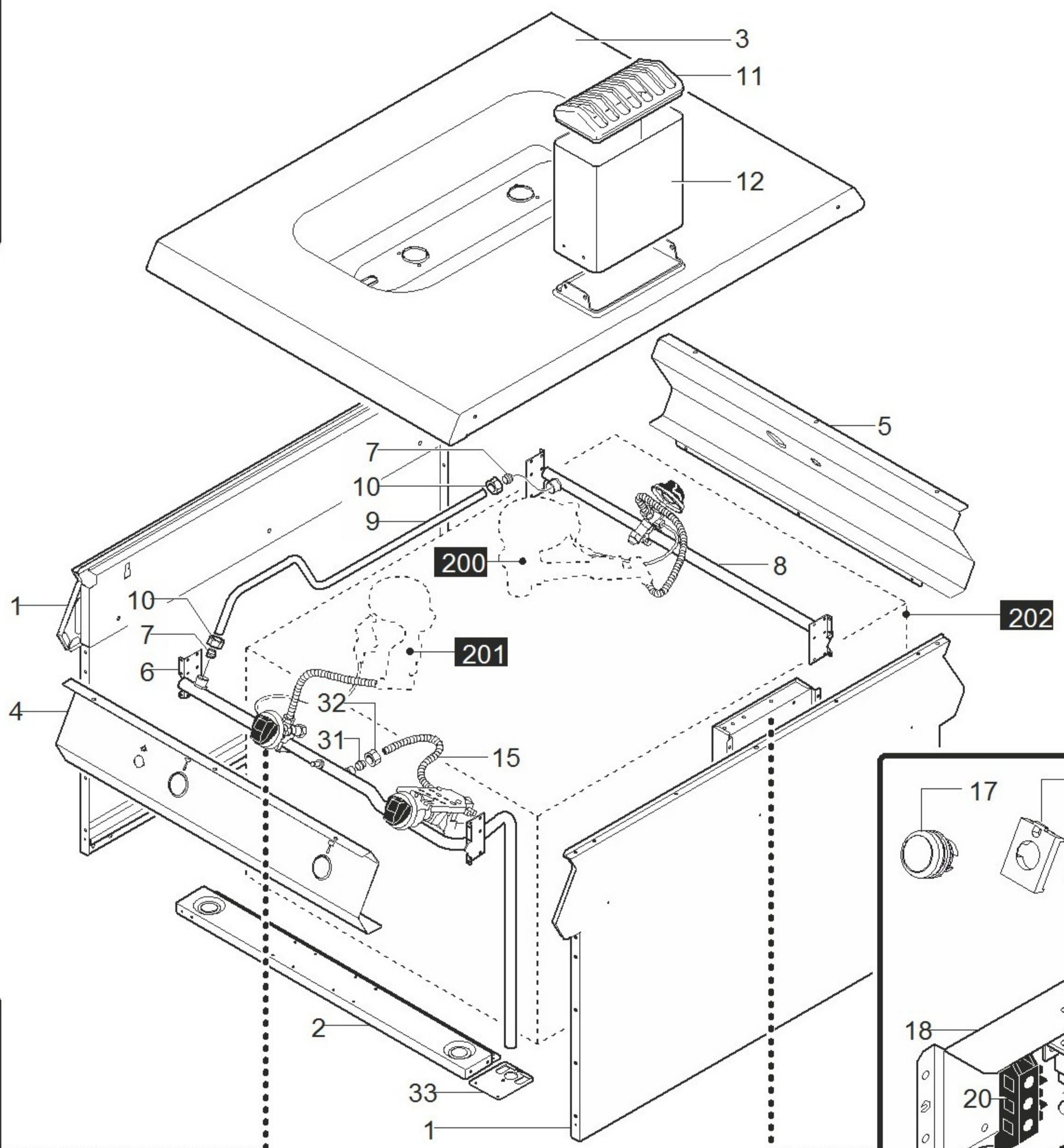
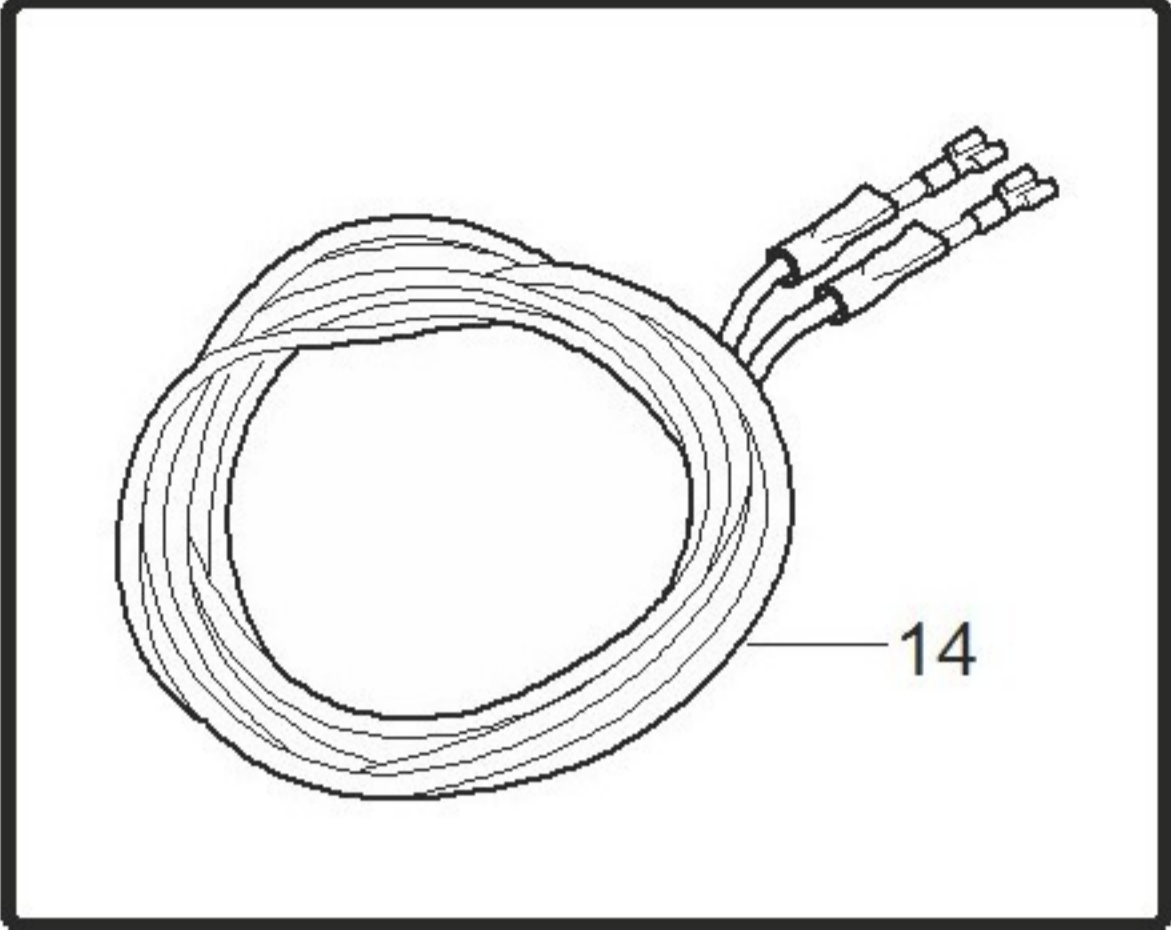
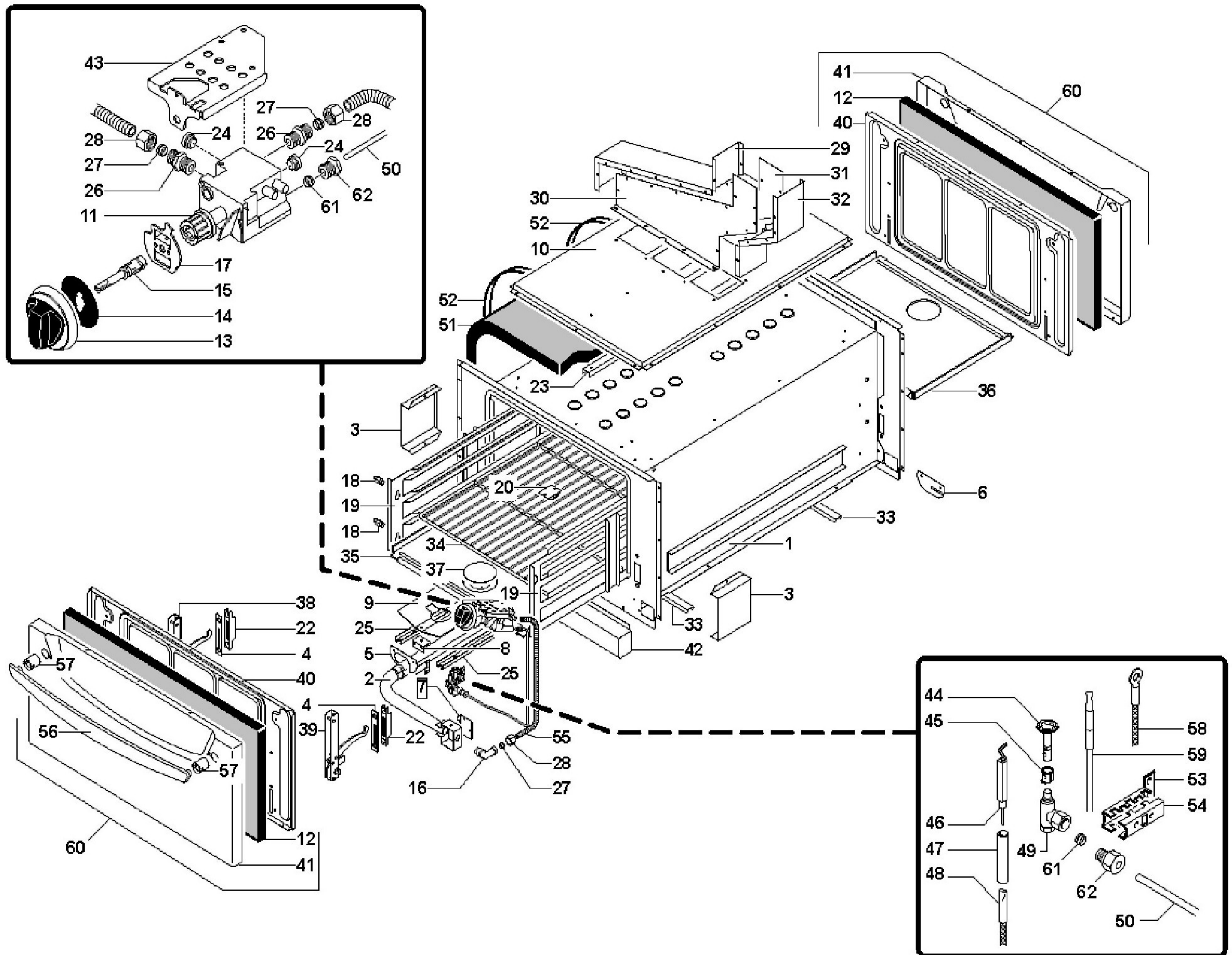
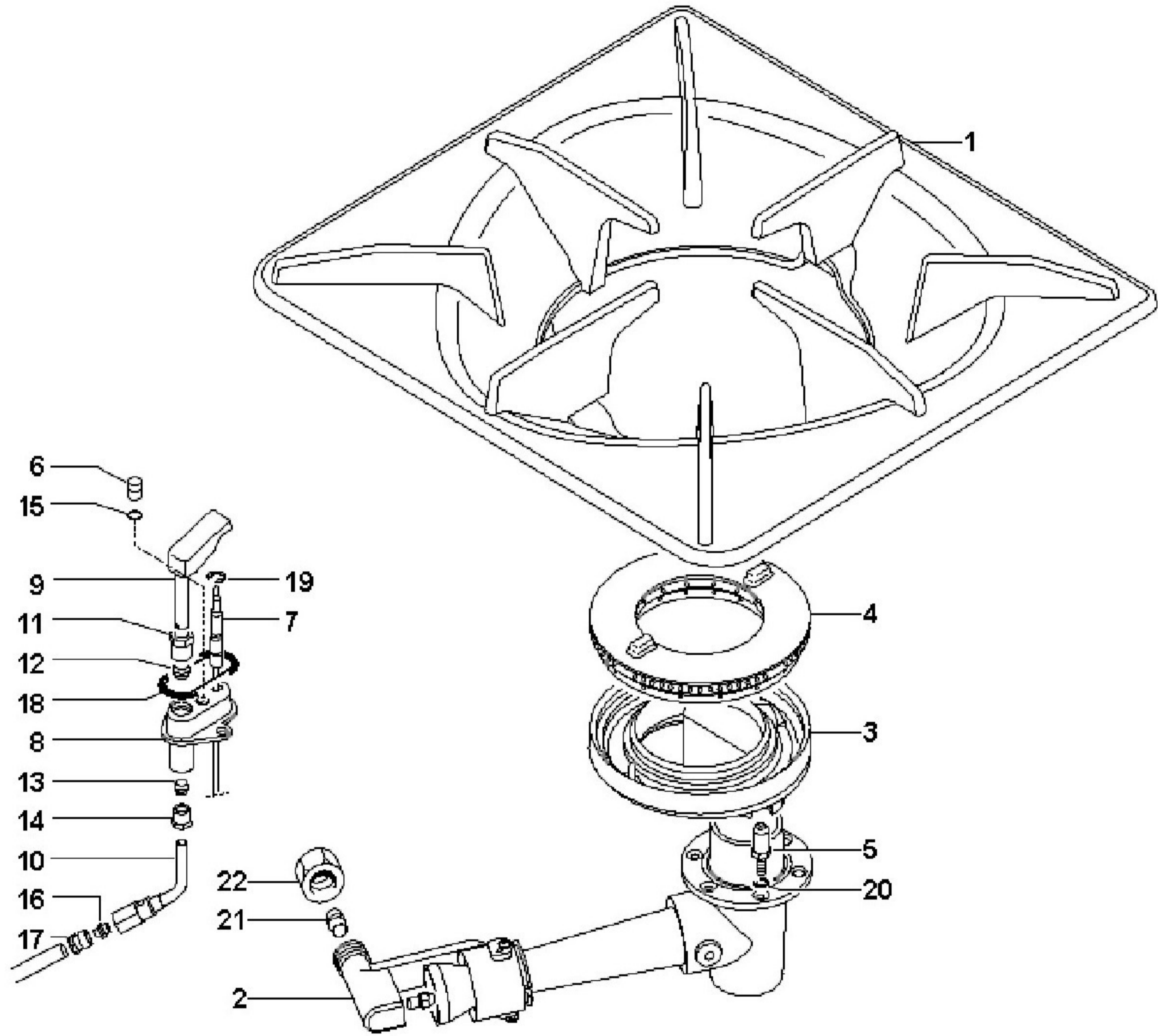


ANGELO PO - 2 FUOCHI,PIANO NEUTRO E FORNO A GAS  
 08WFAAG - 28-10-2014 »









000 - 39511900000



